

KP23 SERIES

Features

- Digital display, easy readout
- Display pressure range : Compound (-100.0~100.0 kPa)
Positive (-0.100~1.000 MPa)
- Programmable pressure unit :
kPa 、 MPa 、 kgf/cm² 、 bar 、 psi 、 inHg 、 mmHg 、 mmH₂O

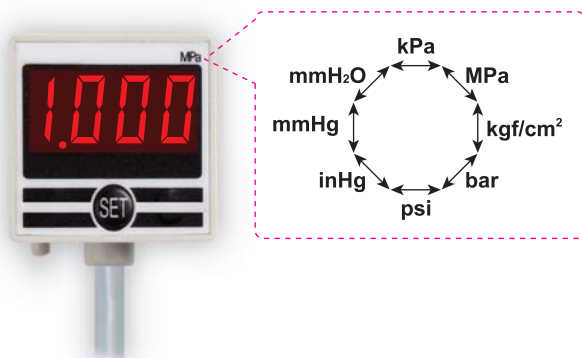


■ SPECIFICATIONS

TYPE	Compound	Positive
MODEL	KP23C	KP23P
Display pressure range	-100.0 ~ 100.0 kPa	-0.100 ~ 1.000 MPa
Withstand pressure	300 kPa	1.5 MPa
Fluid	Filtered air, Non-corrosive/Non-flammable gas	

■ FEATURES HIGHLIGHT

1 Programmable pressure unit



2 Digital display

Digital display, easy readout



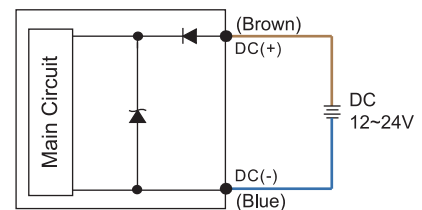
■ SPECIFICATIONS

MODEL		KP23C (Compound)	KP23P (Positive)
Display pressure range		-100.0 ~ 100.0 kPa	-0.100 ~ 1.000 MPa
Withstand pressure		300 kPa	1.5 MPa
Fluid		Filtered air, Non-corrosive/Non-flammable gas	
Set pressure resolution	kPa	0.1	-
	MPa	-	0.001
	kgf/cm ²	0.001	0.01
	bar	0.001	0.01
	psi	0.01	0.1
	inHg	0.1	-
	mmHg	1	-
	mmH ₂ O	0.1	-
Power supply voltage		12 to 24V DC ±10%, Ripple (P-P) 10% or less	
Current consumption		≤ 55mA	
7 segment LED display		3 ½ digit LED display (Sampling rate: 5 times/1sec.)	
Indicator accuracy		±2% F.S. ±1 digit (ambient temperature : 25 ±3°C)	
Environment	Enclosure	IP 40	
	Ambient temp. range	Operation : 0 ~ 50°C, storage : -20 ~ 60°C (No condensation or freezing)	
	Ambient humidity range	Operation/Storage : 35 ~ 85% RH (No condensation)	
	Withstand voltage	1000V AC in 1-min (between case and lead wire)	
	Insulation resistance	50MΩ (at 500V DC, between case and lead wire)	
	Vibration	Total amplitude 1.5mm, 10Hz-55Hz-10Hz scan for 1 minute, two hours each direction of X, Y and Z	
	Shock	980m/s ² (100G), 3 times each in direction of X, Y and Z	
Temperature characteristic		±2% F.S. of detected pressure (25°C) at temp. Range of 0~50°C	
Port size		F1:Rc1/8"; F2:NPT1/8"; F3:G1/8"(BSPP)	
Lead wire		Oil-resistance cable (0.15mm ²)	
Weight		Approx. 102g (with 2 meter lead wire), Approx. 68g (with M8 4Pin male connector)	

■ PANEL DESCRIPTION



■ CIRCUIT WIRING DIAGRAM



* Pressure display only, no switch output function.

KP23 SERIES

ORDERING INFORMATION

K P 2 3 C - F 1 -

Pressure Range

C : Compund (-100.0~100.0 kPa)
P : Positive (-0.100~1.000 MPa)

Pressure Port

F1 : Rc1/8"
F2 : NPT1/8"
F3 : G1/8"(BSPP)

Cable Length / Connector

Blank : With 2 meter cable
QD : With M8 4Pin male connector

Optional Parts

M84R-W0085-2M : With M8 4Pin female connector
BT-1: Mounting bracket
BT-2 : Mounting bracket
PA-A : Panel adapter
PA-B : Panel adapter+Front protective lid

Optional Parts

M8 4Pin female connector



■ M84R-W0085-2M

Mounting bracket



■ BT-1

■ BT-2

Panel adapter



■ PA-A

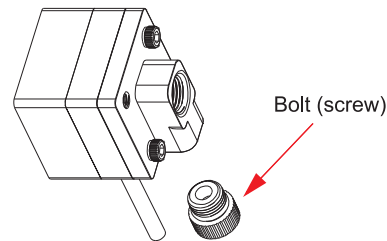
Panel adapter+Front protective lid



■ PA-B

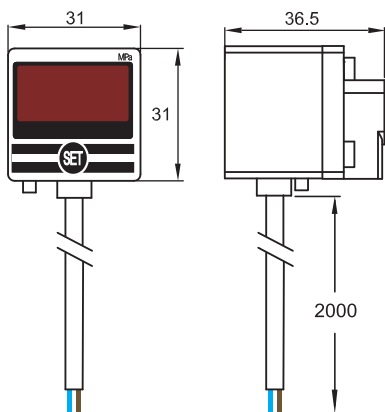
INSTALLATION

- This product has two inlet pressure ports, select the one most convenient for installation.
- Please plug the unused inlet port with supplied port plug. Use seal tape to prevent pressure leak.

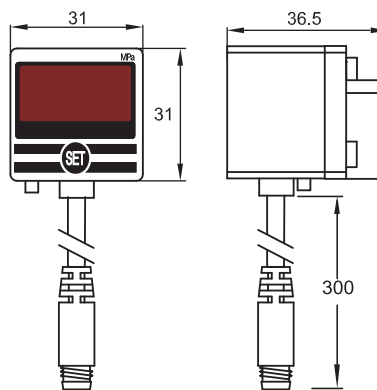


DIMENSIONS

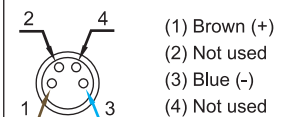
KP23□ - □



KP23□ - □ - QD



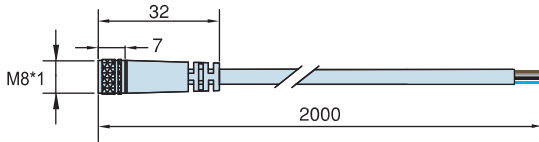
QD PINOUT



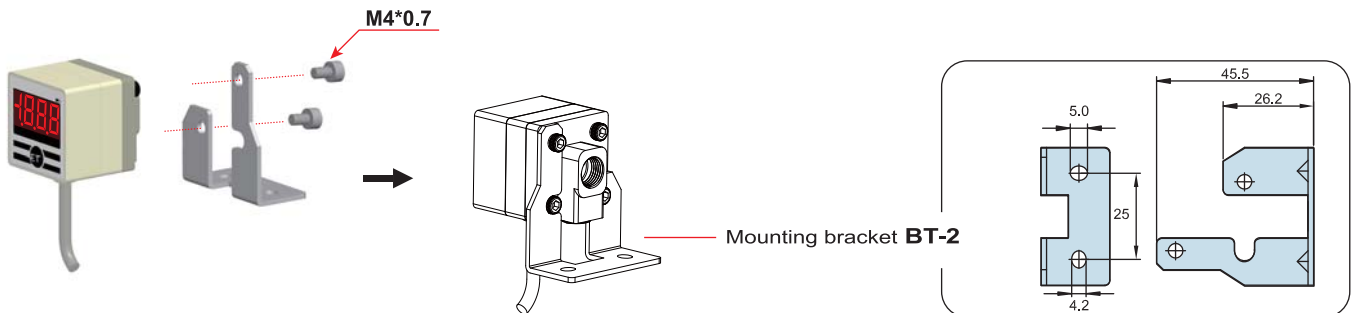
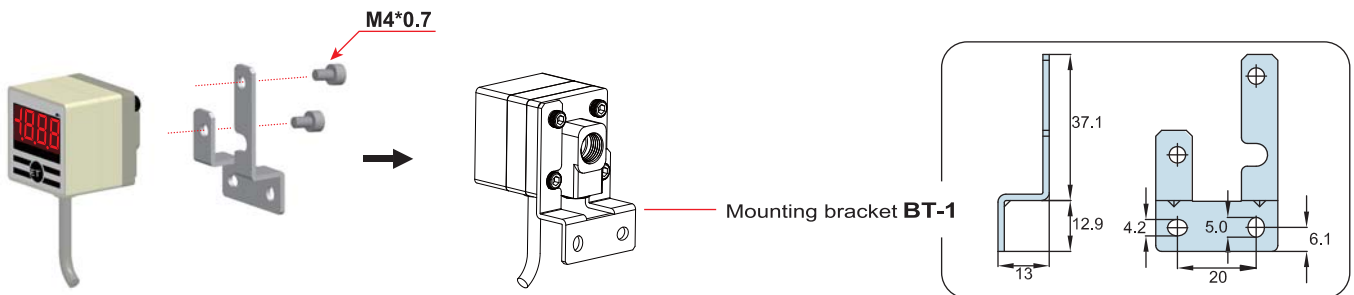
Unit:mm

OPTIONAL PARTS DIMENSIONS

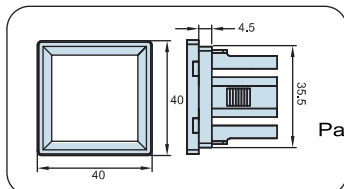
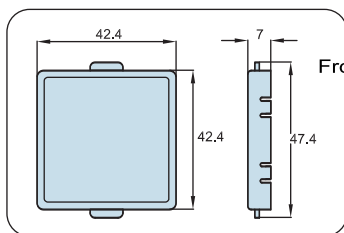
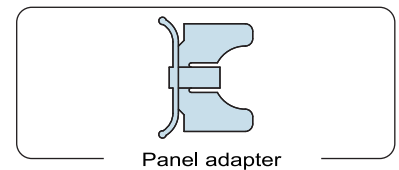
1 M8 Female Connector model : M84R-W0085-2M



2 Mounting Bracket



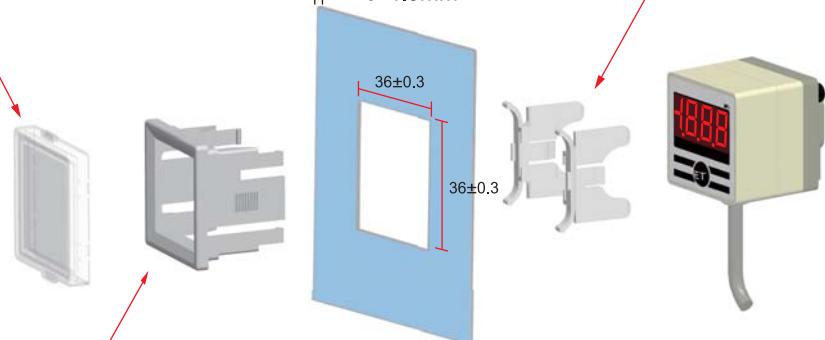
3 Panel Mount Adapter + Front Protective Lid



Front protective lid

Panel adapter

t ≤ 4.5mm



Unit:mm