

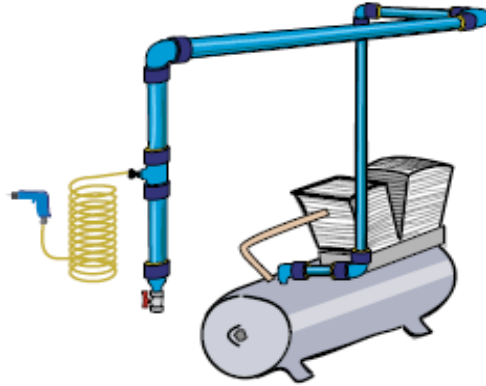
GENTLE AUTOMATIC SOLUTION SDN BHD

No 36, Jalan Industri USJ 1/13, Taman Perindustrian USJ 1, 47600 Subang Jaya, Selangor.

Tel : 603-8023 7743 / 8743 Fax : 603-8023 9743

Email: sales@gentle.com.my

<http://www.gentle.com.my>



Air-Pro Coloured Blue for Compressed Air and Vacuum

CODE	Max.support Dist	O.D.mm	Nom.Bore(inch)
A1	0.5m	20	1/2"
A2	0.75m	25	3/4"
A3	1.0m	32	1"
A4	1.25m	40	1 1/4"
A5	1.5m	50	1 1/2"
A6	1.75m	63	2"
A7	2.0m	75	2 1/2"
A8	2.25m	90	3"
A9	2.25m	110	4"

5.8meter / Length