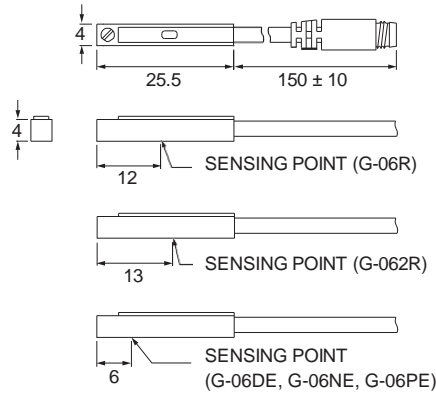


# G-06 SERIES



## Dimensions

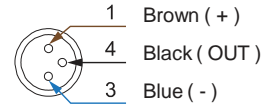
G-06R, G-062R, G-06DE, G-06NE, G-06PE /  
G-06R-QD, G-062R-QD, G-06DE-QD, G-06NE-QD, G-06PE-QD



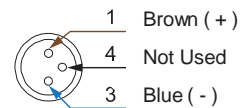
Unit : mm

## QD Pinout

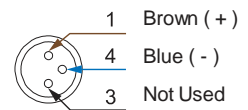
### 3 wire QD wiring



### 2 wire QD wiring



### 2 wire EQD wiring



## Specifications

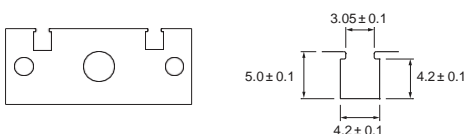
MODEL	G-06R	G-062R	G-06DE	G-06NE	G-06PE
Connect Diagram					
Characteristics	Reed Switch		-	NPN Current Sinking	PNP Current Sourcing
Wiring Method	2-Wire Type			3-Wire Type	
Switching Logic	SPST, Normally Open		Solid State Output, Normally Open		
Sensor Type	Reed Switch		-	NPN Current Sinking	PNP Current Sourcing
Operating Voltage	5 ~ 120 V DC / AC	5 ~ 240 V DC / AC	5 ~ 30 V DC		
Switching Current	100 mA max.		50 mA max.	200 mA max.	
Contact Rating *1	10 W max.		1.5 W max.	6 W max.	
Current Consumption *2	-		6 mA @ 24 V DC max.		
Voltage Drop *2	3.5 V max.		3.7 V max.	0.5 V @ 200 mA max.	
Leakage Current *2	-		0.1 mA (40 uA) max.	0.01 mA max.	
Indicator	Red LED	Green LED	Red LED		Green LED
Lead Wire	Ø2.8 PUR - 26 AWG ( 0.15 mm <sup>2</sup> ) - 2 cores			Ø2.8 PUR - 26 AWG ( 0.15 mm <sup>2</sup> ) - 3 cores	
Operating Frequency	200 Hz		1000 Hz max.		
Magnet Requirement *2, *3	70 Gauss		40 ~ 1000 Gauss		
Temperature Range	-10 ~ 70 °C				
Shock *4	30 G		50 G		
Vibration *5	9 G				
Enclosure	IEC 60529 IP67				
Protection Circuit *6	1		3, 4		

### NOTE

\*1 : WARNING: Never exceed rating ( Watt = Voltage × Amperage ). Permanent damage to sensor will occur.  
\*2 : It bases on conditions of voltage 24 V DC, ambient temp. 25 °C and 2 meters cable of sensor. Voltage drop increases in pace with cable length.  
\*3 : Measuring standard target : Ø15.5 × Ø8 × 5t ( Anisotropy rubber magnet )

\*4 : Sin wave / X, Y, Z 3 directions / 3 times each direction / 11 ms each time.  
\*5 : Double amplitude 1.5 mm / 10 Hz ~ 55 Hz ~ 10 Hz ( Sweep 1 min ) / X, Y, Z 3 directions / 1 hour each time.  
\*6 : 1 = None / 2 = Short-circuit / 3 = Power Source Reverse polarity / 4 = Surge Suppression

## Groove Dimensions



Unit : mm