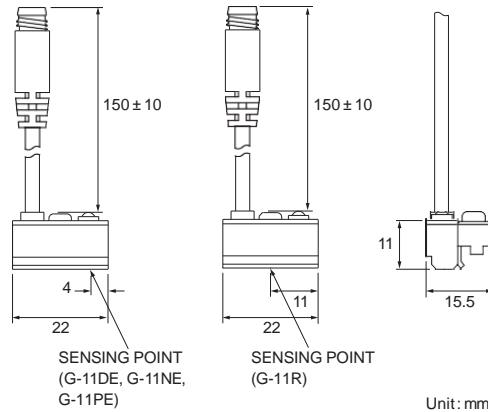


G-11 SERIES



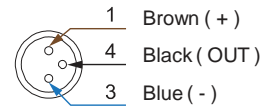
Dimensions

G-11R, G-11DE, G-11NE, G-11PE /
G-11R-QD, G-11DE-QD, G-11NE-QD, G-11PE-QD

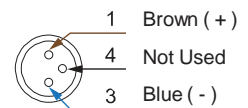


QD Pinout

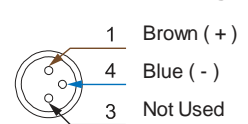
3 wire QD wiring



2 wire QD wiring



2 wire EQD wiring



Specifications

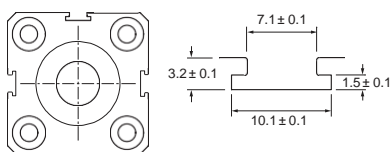
MODEL	G-11R	G-11DE	G-11NE	G-11PE
Connect Diagram				
Characteristics	2-Wire type		3-Wire type	
Wiring Method	2-Wire type		3-Wire type	
Switching Logic	SPST, Normally Open	Solid State Output, Normally Open		
Sensor Type	Reed Switch	-	NPN Current Sinking	PNP Current Sourcing
Operating Voltage	5 ~ 240 V DC / AC	5 ~ 30 V DC		
Switching Current	100 mA max.	50 mA max.	200 mA max.	
Contact Rating *1	10 W max.	1.5 W max.	6 W max.	
Current Consumption *2	-		6 mA @ 24 V DC max.	
Voltage Drop *2	3.5 V max.	3.7 V max.	0.5 V @ 200 mA max.	
Leakage Current *2	-	0.1 mA (40 uA) max.	0.01 mA max.	
Indicator	Red LED	Green LED	Red LED	Green LED
Lead Wire	Ø3.3 PVC - 24 AWG (0.22 mm ²) - 2 cores		Ø3.3 PVC - 24 AWG (0.22 mm ²) - 3 cores	
Operating Frequency	200 Hz	1000 Hz max.		
Magnet Requirement *2, 3	70 Gauss	40 ~ 1000 Gauss		
Temperature Range	-10 ~ 70 °C			
Shock *4	30 G	50 G		
Vibration *5	9 G			
Enclosure	IEC 60529 IP67			
Protection Circuit *6	1	3, 4		

NOTE

*1 : WARNING: Never exceed rating (Watt= Voltage × Amperage). Permanent damage to sensor will occur.
*2 : It bases on conditions of voltage 24 V DC, ambient temp. 25 °C and 2 meters cable of sensor. Voltage drop increases in pace with cable length.
*3 : Measuring standard target : Ø15.5 × Ø8 × 5t (Anisotropy rubber magnet)

*4 : Sin wave / X, Y, Z 3 directions / 3 times each direction / 11 ms each time.
*5 : Double amplitude 1.5 mm / 10 Hz ~ 55 Hz ~ 10 Hz (Sweep 1 min) / X, Y, Z 3 directions / 1 hour each time.
*6 : 1 = None / 2 = Short-circuit / 3 = Power Source Reverse polarity / 4 = Surge Suppression

Groove Dimensions



Unit: mm

Gentle Automatic Solution Sdn Bhd

No.36, Jalan Industri USJ 1/13, Taman Perindustrian USJ 1, 47600 Subang Jaya, Selangor.
TEL: 603-8023 7743 / 8743 FAX: 603-8023 9743

sales@gentle.com.my

<http://www.gentle.com.my>

<https://wa.me/60122738827>

<https://waze.to/1r/hw28325k63>