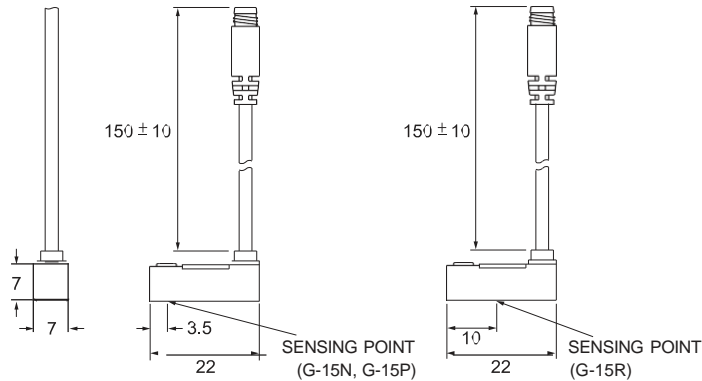


G-15 SERIES



Dimensions

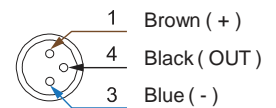
G-15R, G-15N, G-15P /
G-15R-QD, G-15N-QD, G-15P-QD



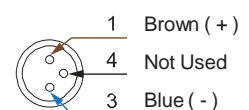
Unit : mm

QD Pinout

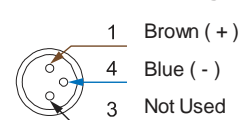
3 wire QD wiring



2 wire QD wiring



2 wire EQD wiring



Specifications

MODEL	G-15R	G-15N	G-15P
Connect Diagram			
Characteristics			
Wiring Method	2-Wire Type	3-Wire Type	
Switching Logic	SPST, Normally Open	Solid State Output, Normally Open	
Sensor Type	Reed Switch	NPN Current Sinking	PNP Current Sourcing
Operating Voltage	5 ~ 240 V DC / AC	5 ~ 30 V DC	
Switching Current	100 mA max.	200 mA max.	
Contact Rating *1	10 W max.	6 W max.	
Current Consumption *2	-	20 mA @ 24 V DC max.	
Voltage Drop *2	3.5 V max.	0.5 V max.	
Leakage Current *2	-	0.01 mA max.	
Indicator	Red LED		Green LED
Lead Wire	Ø2.8 PVC - 26 AWG (0.15 mm ²) - 2 cores	Ø2.8 PVC - 24 AWG (0.22 mm ²) - 3 cores	
Operating Frequency	200 Hz	1000 Hz	
Magnet Requirement *2, 3	50 Gauss	40 Gauss	
Temperature Range	-10 ~ 70 °C		
Shock *4	30 G	50 G	
Vibration *5	9 G		
Enclosure	IEC 60529 IP67		
Protection Circuit *6	1	3, 4	

NOTE

*1 : WARNING: Never exceed rating (Watt = Voltage × Amperage).
Permanent damage to sensor will occur.

*2 : It bases on conditions of voltage 24 V DC, ambient temp. 25 °C and 2 meters cable of sensor. Voltage drop increases in pace with cable length.

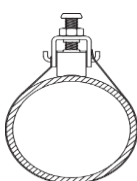
*3 : Measuring standard target : Ø15.5 × Ø8 × 5t (Anisotropy rubber magnet)

*4 : Sin wave / X, Y, Z 3 directions / 3 times each direction / 11 ms each time.

*5 : Double amplitude 1.5 mm / 10 Hz ~ 55 Hz ~ 10 Hz (Sweep 1 min) / X, Y, Z 3 directions / 1 hour each time.

*6 : 1 = None / 2 = Short-circuit / 3 = Power Source Reverse polarity / 4 = Surge Suppression

Clamp



Gentle Automatic Solution Sdn Bhd

No.36, Jalan Industri USJ 1/13, Taman Perindustrian USJ 1, 47600 Subang Jaya, Selangor.
TEL: 603-8023 7743 / 8743 FAX: 603-8023 9743

sales@gentle.com.my
 http://www.gentle.com.my

https://wa.me/60122738827
 https://waze.to/lr/hw28325k63