

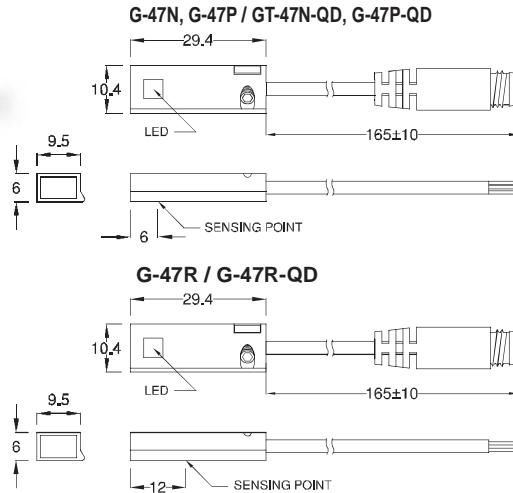
# G-47

RoHS  
CE

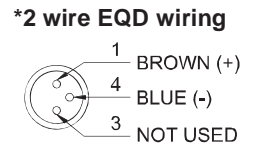
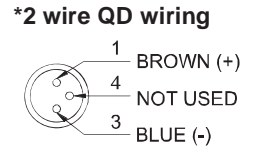
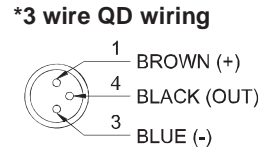
## SERIES

# Magnetic switch

### ■ DIMENSION



### ■ QD PINOUT



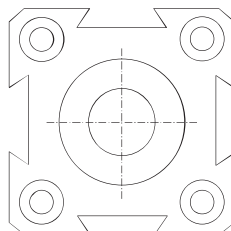
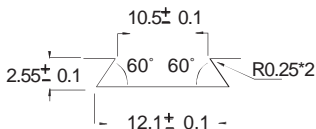
### ■ SPECIFICATION

TYPE	G -47R	G -47N	G -47P
<b>CONNECT DIAGRAM</b>			
<b>CHARACTERISTICS</b>			
<b>WIRING METHOD</b>	2-Wire Type	3-Wire Type	
<b>SWITCHING LOGIC</b>	SPST, Normally Open	Solid State Output, Normally Open	
<b>SENSOR TYPE</b>	Reed Switch	NPN Current Sinking	PNP Current Sourcing
<b>OPERATING VOLTAGE</b>	5~240V DC/AC	5~30V DC	
<b>SWITCHING CURRENT</b>	500 mA max.	200 mA max.	
<b>CONTACT RATING</b>	10 W max.	6 W max.	
<b>CURRENT CONSUMPTION</b>	--	22 mA @ 24V DC max.	20 mA @ 24V DC max.
<b>VOLTAGE DROP</b>	3.0 V max.	2.0 V max.	2.5 V max.
<b>LEAKAGE CURRENT</b>	--	0.01 mA max.	
<b>INDICATOR</b>		Yellow LED	
<b>CABLE</b>	ø2.8, 2C, PVC	ø2.8, 3C, PUR	
<b>OPERATING FREQUENCY</b>	200 Hz	1000 Hz	
<b>MAGNET REQUIREMENT (NOTE 1)</b>		40 Gauss	
<b>TEMPERATURE RANGE</b>		-10~70°C	
<b>SHOCK (NOTE 2)</b>	30 G	50 G	
<b>VIBRATION (NOTE 3)</b>		9 G	
<b>ENCLOSURE CLASSIFICATION</b>		IEC 529 IP 67	
<b>PROTECTION CIRCUIT (NOTE 4)</b>	1	2,3,4	

**NOTE:**

1. Measuring standard target: ø15.5Xø8X5t (Anisotropy rubber magnet)
2. Sin wave / X, Y, Z 3 directions / 3 times each direction / 11 ms each time.
3. Double amplitude 1.5 mm / 10Hz~55Hz~10Hz (Sweep 1 min) / X, Y, Z 3 directions / 1 hour each time.
4. 1=None / 2=Short-circuit / 3=Power Source Reverse polarity / 4=Surge Suppression

### ■ GROOVE DIMENSION



Unit:mm

GENTLE AUTOMATIC SOLUTION SDN BHD

No.36, Jalan Industri USJ 1/13, Taman Perindustrian USJ 1, 47600 Subang Jaya, Selangor.

TEL: 603-8023 7743 / 8743 FAX: 603-8023 9743 email:sales@gentle.com.my