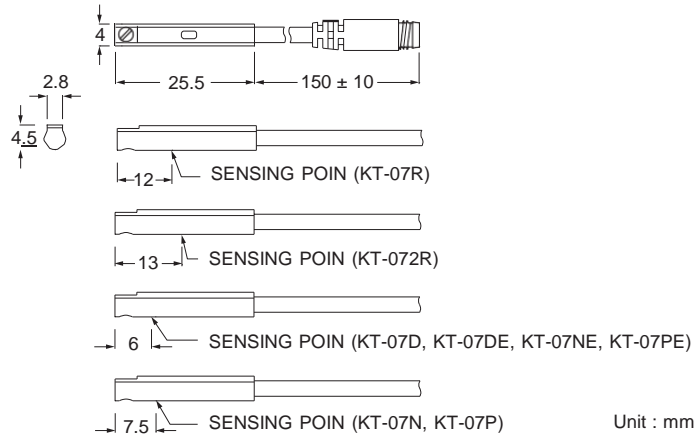


G-07 SERIES



Dimensions

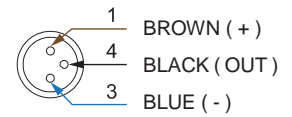
G-07R, G-072R, G-07D, G-07DE, G-07N, G-07NE, G-07P, G-07PE /
G-07R-QD, G-072R-QD, G-07D-QD, G-07DE-QD, G-07N-QD, G-07NE-QD, G-07P-QD, G-07PE-QD



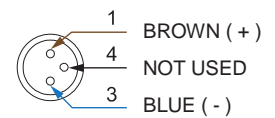
Unit : mm

QD Pinout

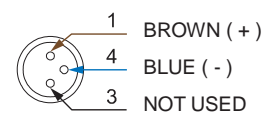
3 wire QD wiring



2 wire QD wiring



2 wire EQD wiring



Specifications

MODEL	G-07R	G-072R	G-07D	G-07DE	G-07N	G-07NE	G-07P	G-07PE
Connect Diagram								
Characteristics	Reed Switch		-		NPN Current Sinking		PNP Current Sourcing	
Wiring Method	2-Wire Type				3-Wire Type			
Switching Logic	SPST, Normally Open				Solid State Output, Normally Open			
Sensor Type	Reed Switch		-		NPN Current Sinking		PNP Current Sourcing	
Operating Voltage	5 ~ 120 V DC / AC	5 ~ 240 V DC / AC	10 ~ 28 V DC		5 ~ 30 V DC			
Switching Current	100 mA max.		4 ~ 40 mA max.	50 mA max.	200 mA max.			
Contact Rating ※1	10 W max.		1.1 W max.	1.5 W max.	6 W max.			
Current Consumption	-		-		8 mA @ 24 V DC max.	6 mA @ 24 V DC max.	8 mA @ 24 V DC max.	6 mA @ 24 V DC max.
Voltage Drop	3.5 V max.			3.7 V max.	1 V @ 200 mA max.	0.5 V @ 200 mA max.	1 V @ 200 mA max.	0.5 V @ 200 mA max.
Leakage Current	-		1 mA max.	0.1 mA (40 uA) max.	0.01 mA max.			
Indicator	Red LED	Green LED	Red LED				Green LED	
Cable	Ø2.8 PUR - 26 AWG (0.15 mm ²) - 2 cores				Ø2.8 PUR - 26 AWG (0.15 mm ²) - 3 cores			
Operating Frequency	200 Hz		1000 Hz max.					
Magnet Requirement ※2	70 Gauss		40 Gauss	40 ~ 1000 Gauss	40 Gauss	40 ~ 1000 Gauss	40 Gauss	40 ~ 1000 Gauss
Temperature Range	-10 ~ 70 °C							
Shock ※3	30 G		50 G					
Vibration ※4	9 G							
Enclosure Classification	IEC 60529 IP67							
Protection Circuit ※5	1		4	3, 4	2, 3, 4	3, 4	2, 3, 4	3, 4

NOTE

※1 : WARNING : Never exceed rating (Watt = Voltage x Amperage).
Permanent damage to sensor will occur.

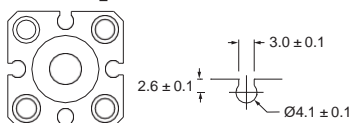
※2 : Measuring standard target : Ø15.5 × Ø8 × 5t (Anisotropy rubber magnet)

※3 : Sin wave / X, Y, Z 3 directions / 3 times each direction / 11 ms each time.

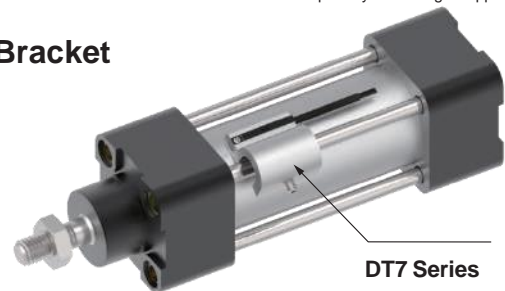
※4 : Double amplitude 1.5 mm / 10 Hz ~ 55 Hz ~ 10 Hz (Sweep 1 min) / X, Y, Z 3 directions / 1 hour each time.

※5 : 1 = None / 2 = Short-circuit / 3 = Power Source Reverse polarity / 4 = Surge Suppression

Groove Dimensions



Bracket



GENTLE AUTOMATIC SOLUTION SDN BHD

No.36, Jalan Industri USJ 1/13, Taman Perindustrian USJ 1, 47600 Subang Jaya, Selangor.

TEL: 603 - 8023 7743 / 8743

FAX: 603 - 8023 9743

Email : sales@gentle.com.my