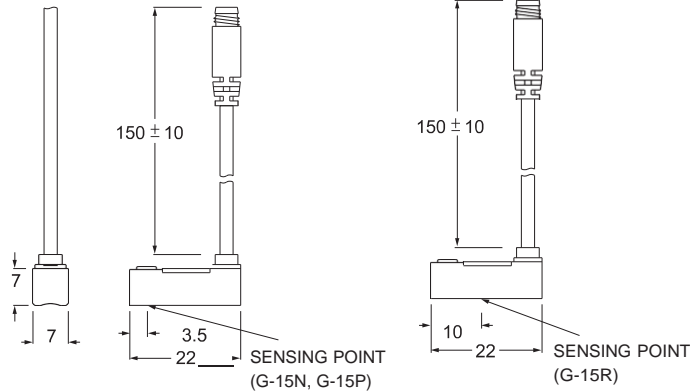


G-15 SERIES



Dimensions

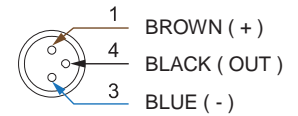
G-15R, G-15N, G-15P /
G-15R-QD, G-15N-QD, G-15P-QD



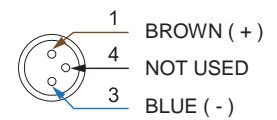
Unit : mm

QD Pinout

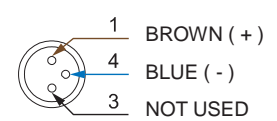
3 wire QD wiring



2 wire QD wiring



2 wire EQD wiring



Specifications

MODEL	G-15R	G-15N	G-15P
Connect Diagram			
Characteristics			
Wiring Method	2-Wire Type	3-Wire Type	
Switching Logic	SPST, Normally Open	Solid State Output, Normally Open	
Sensor Type	Reed Switch	NPN Current Sinking	PNP Current Sourcing
Operating Voltage	5 ~ 240 V DC / AC	5 ~ 30 V DC	
Switching Current	100 mA max.	200 mA max.	
Contact Rating ^{※1}	10 W max.	6 W max.	
Current Consumption	-	20 mA @ 24 V DC max.	
Voltage Drop	3.5 V max.	0.5 V max.	
Leakage Current	-	0.01 mA max.	
Indicator		Red LED	Green LED
Cable	Ø2.8 PVC - 26 AWG (0.15 mm ²) - 2 cores	Ø2.8 PVC - 24 AWG (0.22 mm ²) - 3 cores	
Operating Frequency	200 Hz	1000 Hz	
Magnet Requirement ^{※2}	50 Gauss	40 Gauss	
Temperature Range		-10 ~ 70°C	
Shock ^{※3}	30 G	50 G	
Vibration ^{※4}		9 G	
Enclosure Classification		IEC 60529 IP67	
Protection Circuit ^{※5}	1	3, 4	

NOTE

※1 : WARNING : Never exceed rating (Watt = Voltage x Amperage).
Permanent damage to sensor will occur.

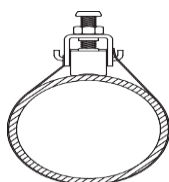
※2 : Measuring standard target : Ø15.5 × Ø8 × 5t (Anisotropy rubber magnet)

※3 : Sin wave / X , Y , Z 3 directions / 3 times each direction / 11 ms each time.

※4 : Double amplitude 1.5 mm / 10 Hz ~ 55 Hz ~ 10 Hz (Sweep 1 min) / X , Y , Z 3 directions / 1 hour each time.

※5 : 1 = None / 2 = Short-circuit / 3 = Power Source Reverse polarity / 4 = Surge Suppression

Clamps



GENTLE AUTOMATIC SOLUTION SDN BHD

No.36, Jalan Industri USJ 1/13, Taman Perindustrian USJ 1, 47600 Subang Jaya, Selangor.

TEL: 603 - 8023 7743 / 8743

FAX: 603 - 8023 9743

Email : sales@gentle.com.my