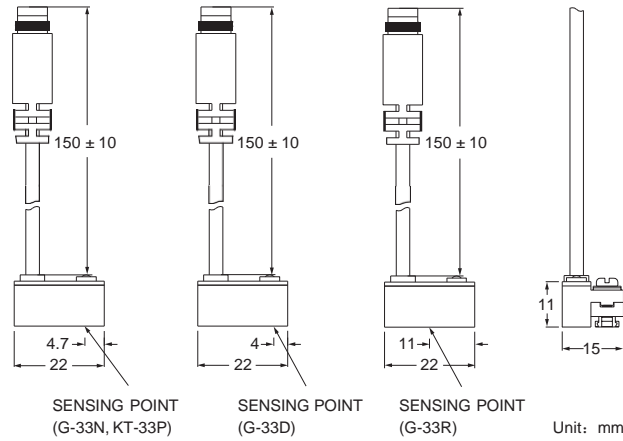
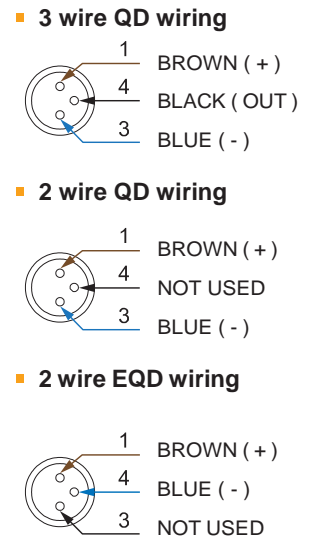


Dimensions

G-33R, G-33D, G-33N, G-33P /
G-33R-QD, G-33D-QD, G-33N-QD, G-33P-QD



QD Pinout



Specifications

MODEL	G-33R	G-33D	G-33N	G-33P
Connect Diagram				
Characteristics	2-Wire Type		3-Wire Type	
Wiring Method	SPST, Normally Open		Solid State Output, Normally Open	
Switching Logic	SPST, Normally Open		Solid State Output, Normally Open	
Sensor Type	Reed Switch	-	NPN Current Sinking	PNP Current Sourcing
Operating Voltage	5 ~ 240 V DC / AC	10 ~ 28 V DC	5 ~ 30 V DC	
Switching Current	100 mA max.	4 ~ 40 mA max.	200 mA max.	
Contact Rating ※1	10 W max.	1.5 W max.	6 W max.	
Current Consumption	-		22 mA @ 24 V DC max.	20 mA @ 24 V DC max.
Voltage Drop	3.5 V max.		0.5 V max.	
Leakage Current	-	1 mA max.	0.01 mA max.	
Indicator	Red LED	Green LED	Red LED	Green LED
Cable	Ø3.3 PVC - 24 AWG (0.22 mm ²) - 2 cores		Ø3.2 PVC - 24 AWG (0.22 mm ²) - 3 cores	
Operating Frequency	200 Hz		1000 Hz	
Magnet Requirement ※2	80 Gauss		70 Gauss	
Temperature Range	-10 ~ 70 °C			
Shock ※3	30 G		50 G	
Vibration ※4	9 G			
Enclosure Classification	IEC 60529 IP67			
Protection Circuit ※5	1	4	3, 4	

NOTE

※1 : WARNING : Never exceed rating (Watt = Voltage x Amperage).
Permanent damage to sensor will occur.

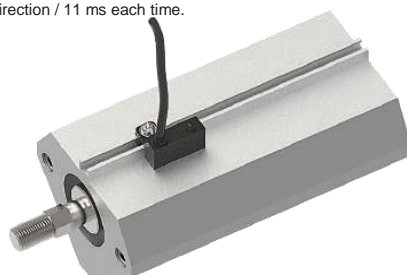
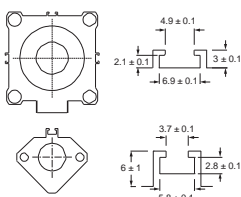
※2 : Measuring standard target : Ø15.5 × Ø8 × 5t (Anisotropy rubber magnet)

※3 : Sin wave / X , Y , Z 3 directions / 3 times each direction / 11 ms each time.

※4 : Double amplitude 1.5 mm / 10 Hz ~ 55 Hz ~ 10 Hz (Sweep 1 min) / X , Y , Z 3 directions / 1 hour each time.

※5 : 1 = None / 2 = Short-circuit / 3 = Power Source Reverse polarity / 4 = Surge Suppression

Groove Dimensions



Unit: mm

GENTLE AUTOMATIC SOLUTION SDN BHD

No.36, Jalan Industri USJ 1/13, Taman Perindustrian USJ 1, 47600 Subang Jaya, Selangor.

TEL: 603 - 8023 7743 / 8743

FAX: 603 - 8023 9743

Email : sales@gentle.com.my