

Magnetic Field Resistant 2-Color Indication Type Reed Auto Switch

D-P79WSE

(Electrical Entry: Pre-wired connector)



Grommet

The proper operating range can be determined by the color of the light.
(Red → Green ← Red)



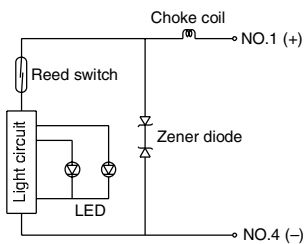
Caution

Precautions

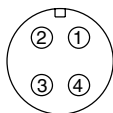
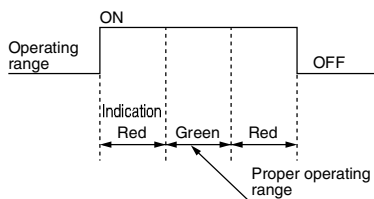
Cylinder with a strong integrated magnet must be used.

Auto Switch Internal Circuit

D-P79WSE



Indicator light/Display method



Connector pin

Auto Switch Specifications

PLC: Programmable Logic Controller

Auto switch model	D-P79WSE
Applicable load	PLC
Load voltage	24 VDC
Load current range	8 to 20 mA
Contact protection circuit	Yes
Internal voltage drop	6 V or less
Indicator light	Operating range Red LED illuminates. Proper operating range Green LED illuminates.
Standard	CE marking

• Lead wires — Oilproof, fire resistant heavy-duty vinyl cord, $\phi 6$, 0.75 mm², 2 cores, 300 mm
Note 1) Refer to page 1272 for reed auto switch common specifications.

Mass

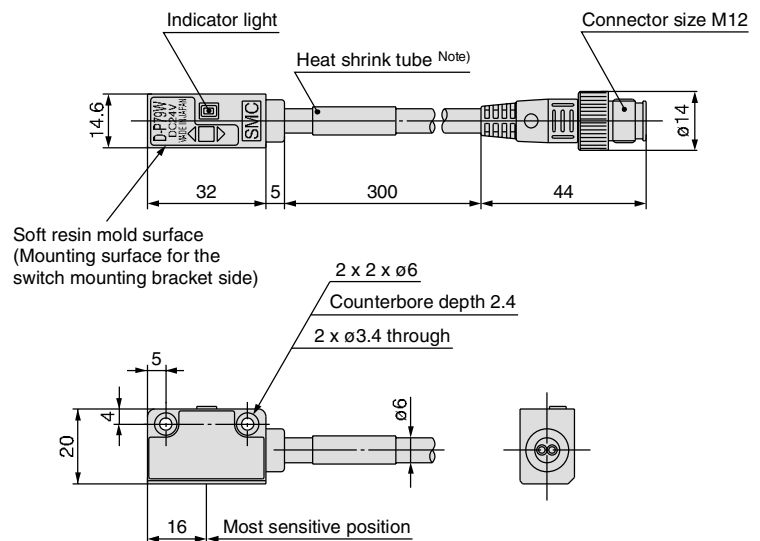
(g)

Auto switch model	D-P79WSE
	100

Dimensions

(mm)

D-P79WSE



Note) D-P79WSE = "SE 1 4-"

Caution

Please be careful of the mounting direction.

The soft resin mold surface must be directed to the switch mounting bracket side.