

Reed Auto Switch Direct Mounting Style D-Z73/D-Z76/D-Z80



Grommet

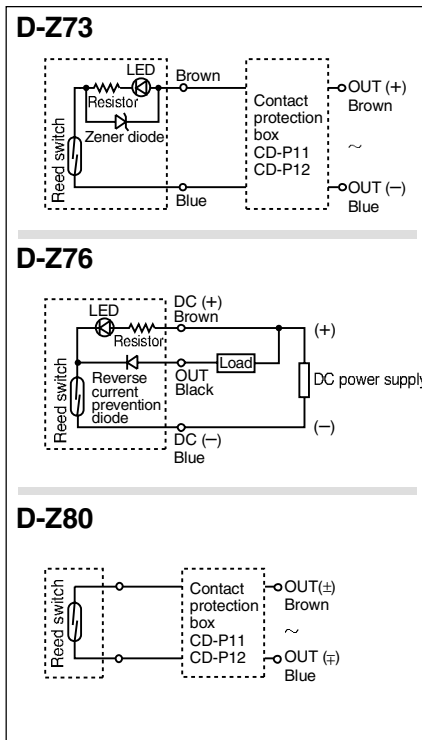


Auto Switch Specifications

PLC: Programmable Logic Controller

D-Z7 (With indicator light)			
Auto switch model	D-Z73		D-Z76
Applicable load	Relay, PLC		IC circuit
Load voltage	24 VDC	100 VAC	4 to 8 VDC
Max. load current and load current range ⁽³⁾	5 to 40 mA	5 to 20 mA	20 mA
Contact protection circuit	None		
Internal voltage drop	2.4 V or less (to 20 mA)/3 V or less (to 40 mA)		0.8 V or less
Indicator light	Red LED illuminates when turned ON.		
Standard	CE marking		
D-Z8 (Without indicator light)			
Auto switch model	D-Z80		
Applicable load	Relay, PLC, IC circuit		
Load voltage	24 V _{DC} ^{AC} or less	48 V _{DC} ^{AC}	100 V _{DC} ^{AC}
Maximum load current	50 mA	40 mA	20 mA
Contact protection circuit	None		
Internal resistance	1 Ω or less (Including 3 m lead wire)		
Standard	CE marking		

Auto Switch Internal Circuit



Note 1) Operating load is an induction load.
 Note 2) Wiring to the load is 5 m or longer.
 Note 3) Load voltage is 100 VAC.
 Use the contact protection box in any of the above listed situations. The contact point life may decrease. (Refer to page 1273 for contact protection box.)

- Lead wires
 D-Z73/D-Z80—Oilproof heavy-duty vinyl cord, $\phi 2.7$, 0.18 mm², 2 cores (Brown, Blue), 0.5 m
 D-Z76—Oilproof heavy-duty vinyl cord, $\phi 3.4$, 0.2 mm², 3 cores (Brown, Black, Blue), 0.5 m
 Note 1) Refer to page 1272 for reed auto switch common specifications.
 Note 2) Refer to page 1272 for lead wire lengths.
 Note 3) Under 5 mA, the strength of the indicator light is poor. In some cases, visibility of the indicator light will not be possible where the output signal is less than 2.5 mA. However, there is no problem in terms of contact output, when an output signal exceeds 1 mA or more.

Mass

(g)

Auto switch model	D-Z73	D-Z76	D-Z80
Lead wire length (m)	0.5	7	10
	3	31	55
	5	50	—

Dimensions

(mm)

