

# Reed Auto Switch Band Mounting Type

## D-A33A/D-A34A/D-A44A



**Terminal conduit: D-A33A**  
**DIN terminal: D-A44A**



### ⚠ Caution

#### Precautions

1. Do not drop or bump the auto switch while handling it as it may result in the auto switch breaking.
2. Use cable whose O.D. is within the size in the figure to maintain water resistant performance.
3. After wiring, confirm that tightening gland and all screws are tightened.

### Auto Switch Specifications

PLC: Programmable Logic Controller

D-A3 A (With indicator light) Terminal conduit			
Autoswitch model	D-A33A		D-A34A
Applicable load	PLC		Relay, PLC
Load voltage	24 VDC <sup>(3)</sup>	24 VDC <sup>(3)</sup>	100 VAC    200 VAC
Load current range <sup>(2)</sup>	5 to 50 mA	5 to 50 mA	5 to 25 mA    5 to 12.5 mA
Internal circuit*	e		q
Contact protection circuit	None		Built-in
Internal voltage drop	2.4 V or less	2.4V or less (Up to 20mA)/3.5V or less (Up to 50mA)	
Indicator light	Red LED illuminates when turned ON.		
Standard	CE/UKCA marking		
D-A44A (With indicator light) DIN terminal			
Autoswitch part model	D-A44A		
Applicable load	Relay, PLC		
Load voltage	24 VDC <sup>(3)</sup>	100 VAC	200 VAC
Load current range	5 to 50 mA	5 to 25 mA	5 to 12.5 mA
Internal circuit*	q		
Contact protection circuit	Built-in		
Internal voltage drop	2.4 V or less (Up to 20 mA)/3.5 V or less (Up to 50 mA)		
Indicator light	Red LED illuminates when turned ON.		
Standard	CE/UKCA marking		

\*Refer to the applicable internal circuit diagram (numbers q to u ) on page 1587.

Note 1) Refer to page 1584 for reed auto switch common specifications.

Note 2) Under 5 mA, the strength of the indicator light is poor. In some cases, visibility of the indicator light will not be possible where the output signal is less than 2.5 mA. However, there is no problem in terms of contact output, when an output signal exceeds 1 mA or more.

Note 3) The auto switches can operate at 12 VDC, but consider the internal voltage drop of the auto switch described in Reed Auto Switch Precautions on page 12.

### Weight

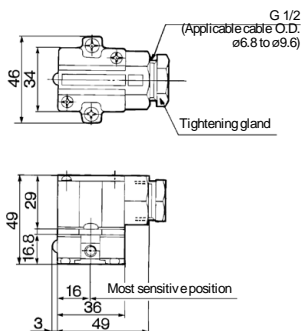
(g)

Auto switch model		D-A33A	D-A34A	D-A44A
Lead wire	None	112	112	110

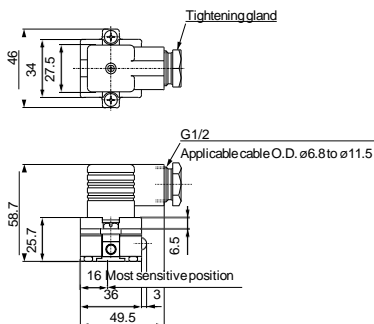
### Dimensions

(mm)

D-A3



D-A44A



### Gentle Automatic Solution Sdn Bhd

No.36, Jalan Industri USJ 1/13, Taman Perindustrian USJ 1, 47600 Subang Jaya, Selangor.  
TEL: 603-8023 7743 / 8743    FAX: 603-8023 9743

✉ sales@gentle.com.my

🌐 www.gentle.com.my

📞 0122738827

📠 waze.to/1r/hw28325k63

