

Solid State Auto Switch Band Mounting Type D-G39A/D-K39A



Terminal conduit



⚠ Caution

Precautions

1. Use cable whose O.D. is within the size in the figure to maintain water resistant performance.
2. After wiring, confirm that tightening gland and all screws are tightened.

Auto Switch Specifications

PLC: Programmable Logic Controller

D-G39A, D-K39A (With indicator light)		
Auto switch model	D-G39A	D-K39A
Wiring type	3-wire	2-wire
Output type	NPN	—
Applicable load	IC circuit, Relay, PLC	24 VDC Relay, PLC
Power supply voltage	5, 12, 24 VDC (4.5 to 28 VDC)	—
Current consumption	10 mA or less	—
Load voltage	28 VDC or less	24 VDC (10 to 28 VDC)
Load current	40 mA or less	5 to 40 mA
Internal voltage drop	1.5 V or less (0.8 V or less at 10 mA of load current)	4 V or less
Leakage current	100 μ A or less at 24 VDC	0.8 mA or less at 24 VDC
Indicator light	Red LED illuminates when turned ON.	
Standard	CE/UKCA marking	

Note) Refer to page 1584 for solid state auto switch common specifications.

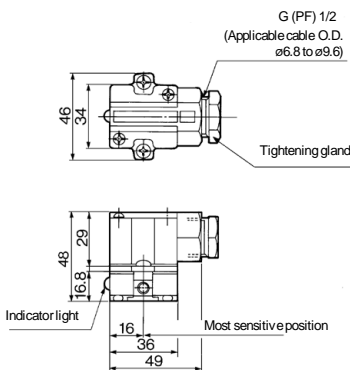
Weight

(g)

Auto switch model		D-G39A	D-K39A
Lead wire	None	110	

Dimensions

(mm)



Gentle Automatic Solution Sdn Bhd

No.36, Jalan Industri USJ 1/13, Taman Perindustrian USJ 1, 47600 Subang Jaya, Selangor.
TEL: 603-8023 7743 / 8743 FAX: 603-8023 9743

sales@gentle.com.my

0122738827

www.gentle.com.my

waze.to/tr/hw28325k63

