

# 2-Color Indicator Solid State Auto Switch Band Mounting Type D-H7NW/D-H7PW/D-H7BW



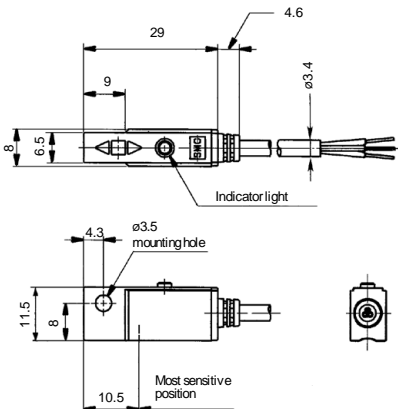
## Grommet

The proper operating range can be determined by the color of the light.  
(Red → Green ← Red)



## Dimensions

(mm)



## Auto Switch Specifications

Refer to SMC website for the details of the products conforming to the international standards.

PLC: Programmable Logic Controller

D-H7□W (With indicator light)			
Auto switch model	D-H7NW	D-H7PW	D-H7BW
Wiring type	3-wire		2-wire
Output type	NPN	PNP	—
Applicable load	IC circuit, Relay, PLC		24 VDC relay, PLC
Power supply voltage	5, 12, 24 VDC (4.5 to 28 VDC)		—
Current consumption	10 mA or less		—
Load voltage	28 VDC or less	—	24 VDC (10 to 28 VDC)
Load current	40 mA or less	80 mA or less	5 to 40 mA
Internal voltage drop	1.5 V or less (0.8 V or less at 10 mA load current)	0.8 V or less	4 V or less
Leakage current	100 $\mu$ A or less at 24 VDC		0.8 mA or less at 24 VDC
Indicator light	Operating range ..... Red LED illuminates. Proper operating range ..... Green LED illuminates.		
Standard	CE/UKCA marking		

## Oilproof Heavy-duty Lead Wire Specifications

Auto switch model		D-H7NW	D-H7PW	D-H7BW
Sheath	Outsidediameter [mm]	$\phi$ 3.4		
Insulator	Number of cores	3 cores (Brown/Blue/Black)		2 cores (Brown/Blue)
	Outsidediameter [mm]	$\phi$ 1.1		
Conductor	Effective area [mm <sup>2</sup> ]	0.2		
	Strand diameter [mm]	$\phi$ 0.08		
Minimum bending radius [mm] (Reference values)		21		

Note 1) Refer to page 1584 for solid state auto switch common specifications.  
Note 2) Refer to page 1584 for lead wire lengths.

## Weight

(g)

Auto switch model		D-H7NW	D-H7PW	D-H7BW
Lead wire length	0.5 m (Nil)	13	—	11
	3 m (L)	57	—	50
	5 m (Z)	92	—	81

## Gentle Automatic Solution Sdn Bhd

No.36, Jalan Industri USJ 1/13, Taman Perindustrian USJ 1, 47600 Subang Jaya, Selangor.

TEL: 603-8023 7743 / 8743 FAX: 603-8023 9743

sales@gentle.com.my  
 www.gentle.com.my

0122738827  
 waze.to/lr/hw28325k63