

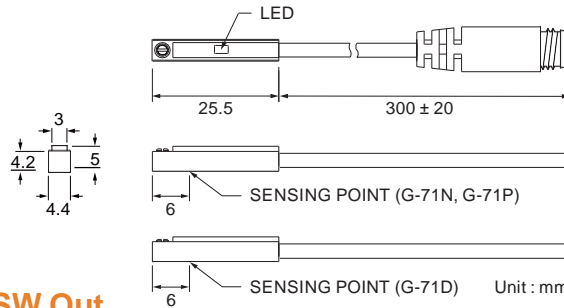
G-71 SERIES

Magnetic Sensor

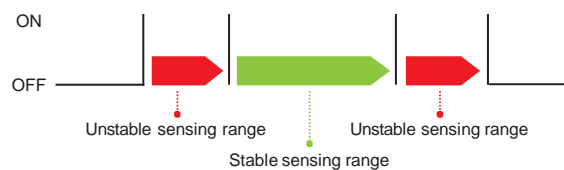


Dimensions

G-71D, G-71N, G-71P /
G-71D-QD, G-71N-QD, G-71P-QD



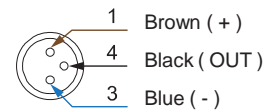
SW Out



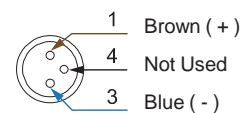
- Dual Color LED allow more precise positioning

QD Pinout

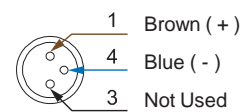
- 3 wire QD wiring



- 2 wire QD wiring



- 2 wire EQD wiring



Specifications

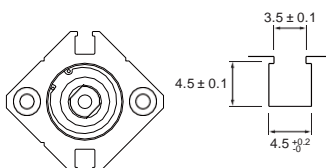
MODEL	G-71D	G-71N	G-71P
Connect Diagram			
Characteristics			
Wiring Method	2-Wire Type	3-Wire Type	
Switching Logic	Solid State Output, Normally Open		
Sensor Type	-	NPN Current Sinking	PNP Current Sourcing
Operating Voltage	10 ~ 28 V DC		
Switching Current	80 mA max.		
Contact Rating *1	2 W max.		
Current Consumption *2	-	10 mA @ 24 V DC max.	
Voltage Drop *2	4 V max.	1.5 V max.	
Leakage Current *2	1 mA max.	0.05 mA max.	
Indicator	Red LED : unstable sensing range ; Green LED : stable sensing range		
Lead Wire	Ø2.8 PUR - 26 AWG (0.15 mm ²) - 2 cores	Ø2.8 PUR - 26 AWG (0.15 mm ²) - 3 cores	
Operating Frequency	1000 Hz		
Magnet Requirement *2, 3	85 Gauss		
Temperature Range	-10 ~ 60 °C		
Shock *4	50 G		
Vibration *5	9 G		
Enclosure	IEC 60529 IP67		
Protection Circuit *6	2, 3, 4		

NOTE

- *1 : WARNING : Never exceed rating (Watt = Voltage × Amperage). Permanent damage to sensor will occur.
- *2 : It bases on conditions of voltage 24 V DC, ambient temp. 25 °C and 2 meters cable of sensor. Voltage drop increases in pace with cable length.
- *3 : Measuring standard target : Ø15.5 × Ø8 × 5t (Anisotropy rubber magnet)

- *4 : Sin wave / X, Y, Z 3 directions / 3 times each direction / 11 ms each time.
- *5 : Double amplitude 1.5 mm / 10 Hz ~ 55 Hz ~ 10 Hz (Sweep 1 min) / X, Y, Z 3 directions / 1 hour each time.
- *6 : 1 = None / 2 = Short-circuit / 3 = Power Source Reverse polarity / 4 = Surge Suppression

Groove Dimensions



Unit : mm

Gentle Automatic Solution Sdn Bhd

No.36, Jalan Industri USJ 1/13, Taman Perindustrian USJ 1, 47600 Subang Jaya, Selangor.
TEL: 603-8023 7743 / 8743 FAX: 603-8023 9743

sales@gentle.com.my
www.gentle.com.my

0122738827
waze.to/lr/hw28325k63