



Air tank (related products)

AT Series

JIS symbol



- F.R.L.
- F.R.
- F (Filtr)
- R (Reg)
- L (Lub)
- Drain
- Separ
- Mech
- Press SW
- Res
- press
- exh
- valve
- SwSet
- Anti-
- bac/B
- ac-
- remov
- e Filtr
- Fim
- Resist
- FR
- OPdr
- Med
- Press
- FR
- No Cu/
- PTFE
- FRL
- Outdrs
- FRL
- Adapt
- er
- Joiner
- Press
- Gauge
- CompFRL
- LgFRL
- PresR
- VacFR
- Clean
- FR
- EdPreR
- AirBoost
- Speed
- Ctrl
- Silincr
- Check//
- other
- F/Tube
- Nozzle
- Air Unit
- ResComp
- Electro
- Press SW
- ContSW
- AirSens
- PresSW
- Cool
- Air Flo
- SensOil
- WaterGas
- TotalSys
- (Total Air)
- PA Sys
- Ending
- Gamma
- Gas
- 683reac
- RefrDry
- DesDry

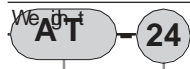
Features

Air tank directly connected to air booster ABP-12 with compact body.

Specifications

Item	AT
Working fluid	Compressed air
Max. working pressure MPa	0.99 (≈140 psi, 9.9 bar)
Water pressure test pressure Pa	1.5 (≈220 psi, 15 bar)
Ambient temperature °C	0 (32°F) to 50 (122°F) (no freezing)
Internal capacity m ³	0.024
Port size	Rc1/2
Material	Steel
Weight	17.5 kg

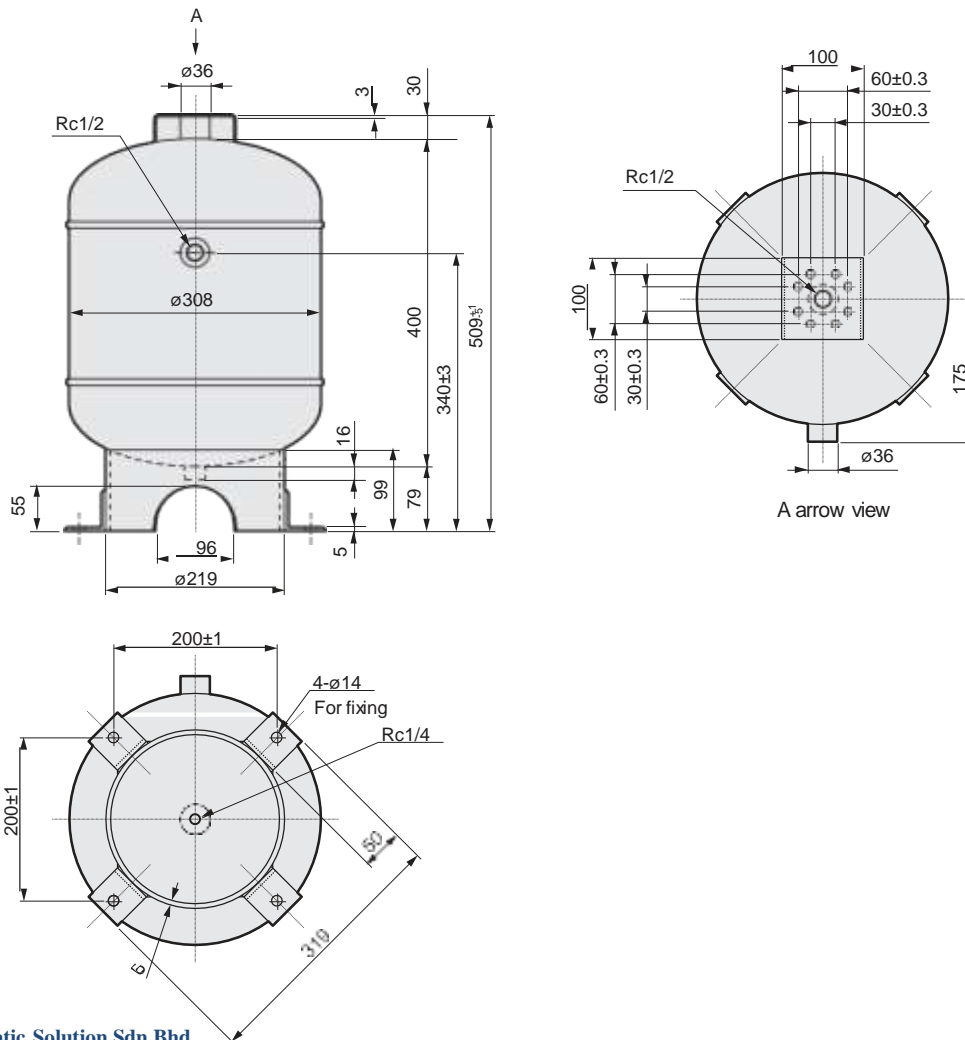
How to order



Air tank Internal capacity

● Part model No.
AT-K1 (O-ring, hex head bolt, spring washer)

Dimensions



Gentle Automatic Solution Sdn Bhd

No.36, Jalan Industri USJ 1/13, Taman Perindustrian USJ 1, 47600 Subang Jaya, Selangor.
TEL: 603-8023 7743 / 8743 FAX: 603-8023 9743

sales@gentle.com.my
www.gentle.com.my

0122738827
waze.to/ir/hw28325k63