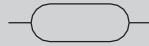


Air tank(Related products)

# AT2 Series

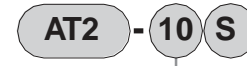
JISCode



## Specifications

Item	AT2-05S	AT2-10S
Working fluid	Compressed air	
Max. working pressure MPa	0.99	
Water test pressure MPa	1.5	
Ambient temperature°C	0 to 50 (no freezing)	
Internal capacity L	5	10
Port size	Rc3/8	
Material	Stainless steel	
Weight kg	7.3	10.5

## How to order

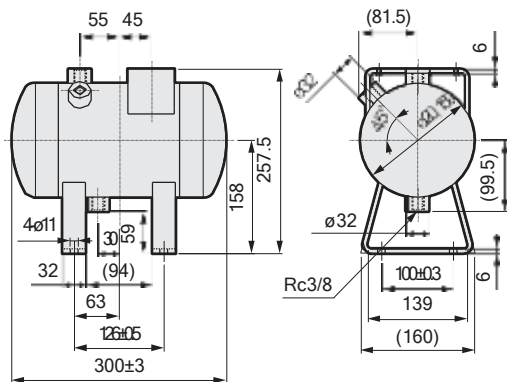
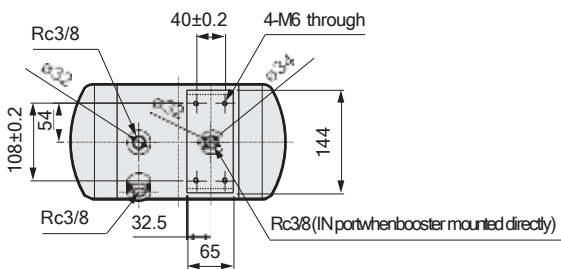


A Internal capacity

Code	Description
05	5L
10	10L

## Dimensions

### ● AT2-05S



### ● AT2-10S

